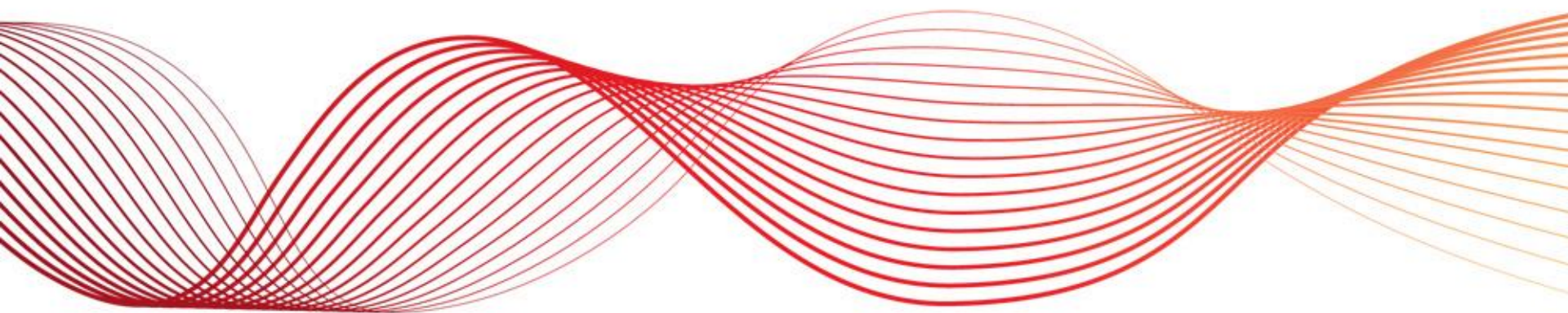


POC SCHEMA CHANGES

19th December 2016



CONFIDENTIAL – RESTRICTED
PREPARED BY: AEMO
TEMPLATE V0.3

OVERVIEW OF TIMELINES



- B2M Schema Changes
 - Submission to the ASWG - 23rd November.
 - Publish Schema Changes – 18th January.

- B2B Schema Changes
 - Submission to the ASWG – 15th January.
 - Publish Schema Changes – 9th March.

B2M SCHEMA CHANGES



OVERVIEW OF PROPOSED CHANGES



Chg #	Description of change	Filename
1	<p>Updated schema namespace to 'urn:aseXML:r35'.</p> <p>Updated Event schema to Events_r35.</p> <p>Updated CATSTableReplication schema to CATSTableReplication_r35.</p> <p>Updated Electricity schema to Electricity_r35.</p> <p>File version changed from r34 to r35.</p>	aseXML_r35
2	<p>Added r35 release identifier in the Event schema.</p> <p>File version changed from r34 to r35.</p>	Events_r35
3	<p>Added the following Simple Types:</p> <ul style="list-style-type: none"> NMIRangesAttributeType <p>Added the following Complex Types:</p> <ul style="list-style-type: none"> NMIRangesRow <p>Modified the following Complex Types:</p> <ul style="list-style-type: none"> EmbeddedNetworkIdentifierRow <p>File version changed from r33 to r35.</p>	CATSTableReplication_r35
4	<p>Modified the following Simple Types:</p> <ul style="list-style-type: none"> MeterStatusCode <p>Change the version attribute of versioned type:</p> <ul style="list-style-type: none"> ElectricityStandingData <p>File version changed from r33 to r35.</p>	Electricity_r35

ASEXML_R35.XSD



- Update schema namespace to 'urn:aseXML:r35'.
- Update Event schema to 'Events_r35.xsd'.
- Update CATSTableReplication schema to 'CATSTableReplication_r35.xsd'.
- Updated Electricity schema to 'Electricity_r35.xsd'.

- Add r35 release identifier

```
<xsd:simpleType name="r35">  
  <xsd:annotation>
```

```
    <xsd:documentation>Purpose -  
Release r35  
identifier.</xsd:documentation>
```

```
  </xsd:annotation>  
  <xsd:restriction  
base="ReleaseIdentifier">
```

```
    <xsd:enumeration value="r35"/>  
  </xsd:restriction>  
</xsd:simpleType>
```

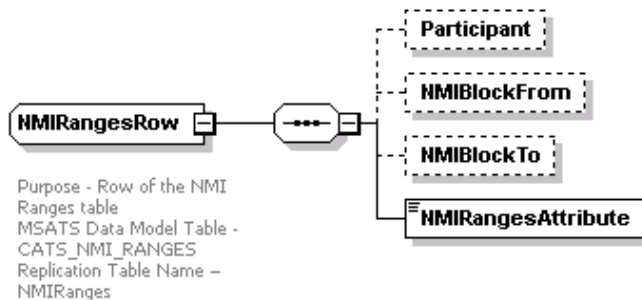
CATSTableReplication_r35.xsd

- Add new simple type 'NMIRangesAttributeType'

```
<xsd:simpleType name="NMIRangesAttributeType">  
  <xsd:annotation>  
    <xsd:documentation>  
      MSATS Data Model Column - Attribute  
    </xsd:documentation>  
  </xsd:annotation>  
  <xsd:restriction base="xsd:string">  
  </xsd:restriction>  
</xsd:simpleType>
```

CATSTABLEREPLICATION_R35.XSD CONT..

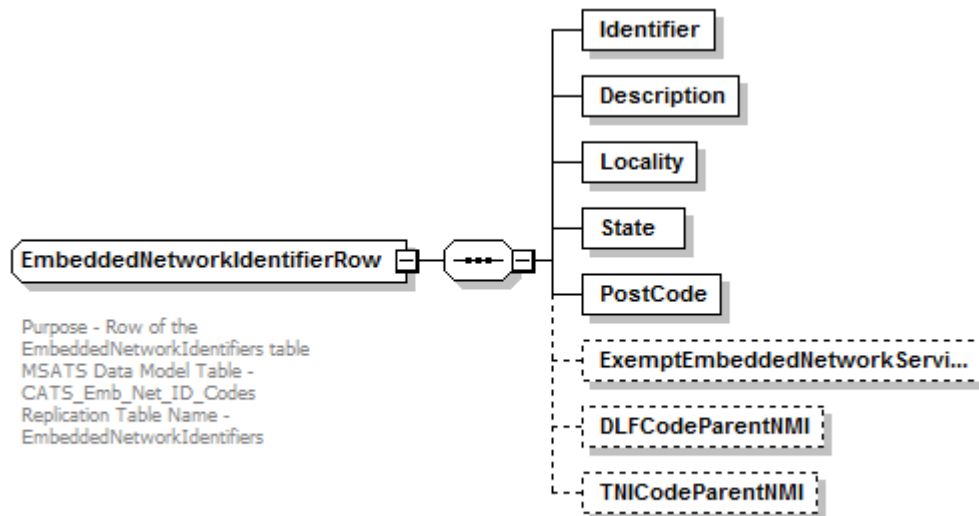
Add new complex type 'NMIRangesRow'



```
<xsd:complexType name="NMIRangesRow">
  <xsd:annotation>
    <xsd:documentation>
      Purpose - Row of the NMI Ranges table
      MSATS Data Model Table - CATS_NMI_RANGES
      Replication Table Name - NMIRanges
    </xsd:documentation>
  </xsd:annotation>
  <xsd:complexContent>
    <xsd:extension base="ReplicationBaseRow">
      <xsd:sequence>
        <xsd:element name="Participant" type="PartyIdentifier" nillable="true" minOccurs="0"/>
        <xsd:element name="NMIBlockFrom" type="NMIBase" nillable="true" minOccurs="0"/>
        <xsd:element name="NMIBlockTo" type="NMIBase" nillable="true" minOccurs="0"/>
        <xsd:element name="NMIRangesAttribute" type="NMIRangesAttributeType"/>
      </xsd:sequence>
    </xsd:extension>
  </xsd:complexContent>
</xsd:complexType>
```


CATSTABLEREPLICATION_R35.XSD CONT..

- Modify existing complex type 'EmbeddedNetworkIdentifierRow' to add three new elements: 'ExemptEmbeddedNetworkServiceProvider', 'DLFCODEParentNMI' and 'TNICodeParentNMI'



Purpose - Row of the
EmbeddedNetworkIdentifiers table
MSATS Data Model Table -
CATS_Emb_Net_ID_Codes
Replication Table Name -
EmbeddedNetworkIdentifiers

Generated by XMLSpy

www.altova.com

CATSTABLEREPLICATION_R35.XSD CONT..



```
<xsd:complexType name="EmbeddedNetworkIdentifierRow">
  <xsd:annotation>
    <xsd:documentation>
      Purpose - Row of the EmbeddedNetworkIdentifiers table
      MSATS Data Model Table - CATS_Emb_Net_ID_Codes
      Replication Table Name - EmbeddedNetworkIdentifiers
    </xsd:documentation>
  </xsd:annotation>
  <xsd:complexContent>
    <xsd:extension base="ReplicationDateRangeRow">
      <xsd:sequence>
        <xsd:element name="Identifier" type="EmbeddedNetworkIdentifier"/>
        <xsd:element name="Description" type="EmbeddedNetworkDescription"/>
        <xsd:element name="Locality" type="AustralianSuburbOrPlaceOrLocality"/>
        <xsd:element name="State" type="AustralianStateOrTerritory"/>
        <xsd:element name="PostCode" type="AustralianPostCode"/>
        <xsd:element name="ExemptEmbeddedNetworkServiceProvider" type="PartyIdentifier"
          nillable="true" minOccurs="0"/>
        <xsd:element name="DLFCODEParentNMI" type="DistributionLossFactorCode" nillable="true"
          minOccurs="0"/>
        <xsd:element name="TNICodeParentNMI" type="TransmissionNodeIdentifier" nillable="true"
          minOccurs="0"/>
      </xsd:sequence>
    </xsd:extension>
  </xsd:complexContent>
</xsd:complexType>
```

- Modify existing simple type 'MeterStatusCode' to remove enumeration:

```
<xsd:simpleType name="MeterStatusCode">
  <xsd:annotation>
    <xsd:documentation>
      Purpose - Status code of Meter
      Register Data
      MSATS Data Model Column -
      MeterStatus
    </xsd:documentation>
  </xsd:annotation>
  <xsd:restriction base="xsd:string">
    <xsd:length value="1"/>
  </xsd:restriction>
</xsd:simpleType>
```

- Change the version attribute of versioned type 'ElectricityStandingData' impacted by removal of enumeration from 'MeterStatusCode' type:

Change from: `xsd:attribute name="version" type="r31" use="optional" default="r31"/>`

Change to: `<xsd:attribute name="version" type="r35" use="optional" default="r35"/>`

This table in the following slide identifies the files, transactions and versioned types that are potentially impacted as the result of these changes, where:

- Modified types - is a full list of types changed by this Change Request
- Derived types – is a list of any types that are derived from a modified type, and are therefore also modified by default
- Versioned types affected – is a list of all versioned types that will need to have the version attribute updated as a result of this Change Request
- Transactions potentially affected – is a list of all transactions that contain a modified type, either directly or via a type substitution
- Schema files affected – is a list of schema files that will be changed in some way as a result of this Change Request.

IMPACT SUMMARY TABLE



Modified types	Derived types	Versioned types affected	Transactions potentially affected	Schema files affected
				aseXML_r34.xsd
				Events_r34.xsd
MeterStatusCode	ElectricityMeter ElectricityMeters	ElectricityStandingData	NMIDiscoveryResponse NMISTandingDataResponse CATSChangeRequest CATSNotification CATSDataRequest ServiceOrderRequest ServiceOrderResponse AmendMeterRouteDetails AccountCreationNotification MeterReadInputNotification SpecialReadRequest SpecialReadResponse NMISTandingDataUpdateNotification CATSBulkDataRequest	Electricity_r33.xsd
EmbeddedNetworkIdentifier Row			ReplicationNotification	CATSTableReplication_r33.xsd

B2B SCHEMA CHANGES



SWG FORWARD MEETING PLAN



SWG Meeting	Date	Topic	Discussion Point
#FG	16-Jan-17	FG LVI Changes	<ul style="list-style-type: none">• Review proposed LVI changes.
#FG	30-Jan-17	FG LVI Changes	<ul style="list-style-type: none">• Finalise LVI changes.
6	10-Feb-17	LVI, Peer to Peer & B2B Schema	<ul style="list-style-type: none">• Present proposed LVI to SWG• Present Peer to Peer functionality provided by new eHub.• Present B2B Schema changes.
7	15-Mar-17	TBC	
8	13-Apr-17	TBC	